



# ELECSTOR RECHARGEABLE FAN

## PEDESTAL FAN - 18 INCH

Perfect for loadshedding!



### INSTRUCTION MANUAL

Thank you for purchasing an Elecstor Rechargeable Fan, please read the instructions carefully before use.

The manual includes a warranty card. Please contact our support team if you experience any issues with the fan.

### PRODUCT PARAMETERS

#### Description

Don't let the heat take its toll; take charge of your comfort with the Elecstor Rechargeable 18-Inch Pedestal Fan. Whether you're cooling down your living room, bedroom, or office, this fan's impressive features and performance will keep you feeling comfortable and refreshed, even on the hottest days. Experience the height of cooling convenience and style with the Elecstor Rechargeable 18-Inch Pedestal Fan, and enjoy a cooler, more comfortable environment.

#### Specifications

- Size: 18 inches
- Material: ABS+PP
- Voltage Compatibility: 110-240V
- Battery Type: Lead Acid
- USB Port: 5V
- DC Power Input: 16V

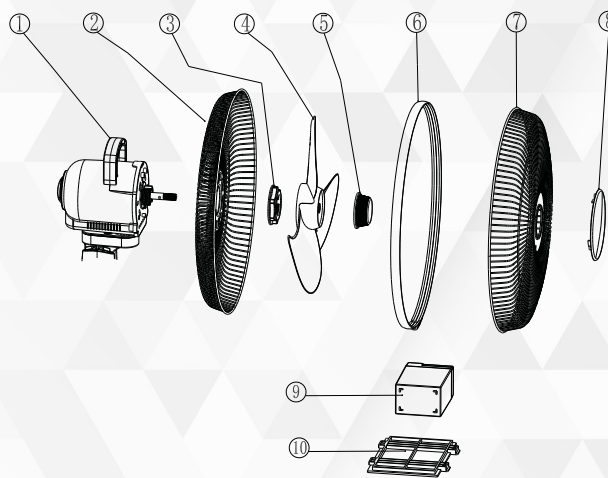
#### Features

- Rechargeable Battery: Operational during power outages
- Adjustable Fan Speeds: 5 adjustable settings
- User-Friendly Controls
- Operating Time: 5-9 hours depending on the speed
- Efficient Charging: 10-12 hours
- Night light functionality
- Convenient Remote Control

### ATTENTION

1. Please ensure that the voltage indicated on the appliance corresponds with the mains voltage.
2. When the LED dims, please recharge the product.
3. Charge at least once in every 3 months for 10 hours, when the appliance is not in use.
4. Please keep the fan switched OFF status when not in use.
5. Suitable operating ambient humidity level is 0°C-40°C.
6. Please keep this product away from water.

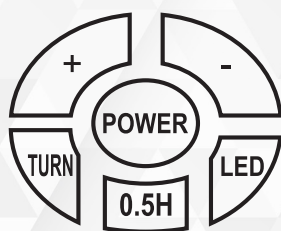
### PRODUCT DESCRIPTION



1. Handle
2. Back cover
3. Fixed ring of grill
4. Fan blade
5. Fixed knob of blade
6. Big fixed ring
7. Front cover
8. Protecting cover
9. Battery
10. Battery cover

### Function

1. Power: Turn on or turn off the fan
2. + Increase fan speed
3. - Decrease fan speed
4. 0.5 Hours timer
5. LED light on/off switch
6. TURN: Oscillation control lock

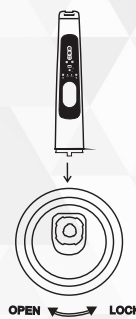


### PRODUCT INSTRUCTIONS

1. Plug in the cord into the AC socket and connect the power supply to the fan.
2. The red indicator light will appear when the device is charging.
3. It is normal for the fan to feel slightly warm while charging.
4. Once the indicator light turns green, the fan is ready to be used.

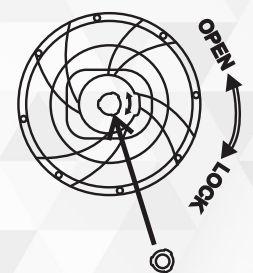
### HOW TO ASSEMBLE THE FAN

Please follow the steps and diagrams on the next page.



Place the chassis of the fan in the position depicted in the diagram. Clip the main body of the fan into the chassis as depicted. Click to the right to assemble and lock the chassis into place and to the left to loosen and disassemble.

After assembly, turn over to the back of the chassis, as depicted in the diagram, the plastic nut tightens to the left and loosens to the right.



As depicted in the diagram, assemble the fan head and column, tighten the two screws depicted to secure the base to the head of the fan.

### CAUTION

1. Do not discard this product with regular household waste. The battery must be recycled after disposal due to its environmental impact.
2. If the power cord of the device is damaged, it must be replaced exclusively by the manufacturer, their authorized service agent, or a qualified professional to prevent potential hazards.
3. This appliance is not intended for use by individuals, including children, who have physical, sensory, or mental limitations or lack experience and knowledge in its operation, unless they are under the supervision or instruction of a responsible person regarding its safe use.
4. Children should be supervised to ensure that they do not play with the appliance.



DISTRIBUTED EXCLUSIVELY BY  
APEX INTERACTIVE

Struggling with your device? We can help.  
Contact our support team:

support@apexint.co.za  
support: 086 100 2236